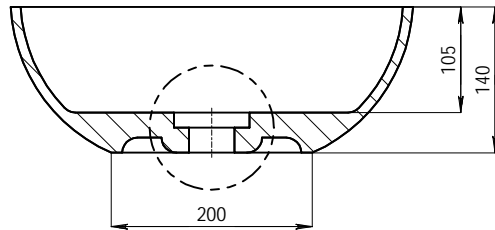
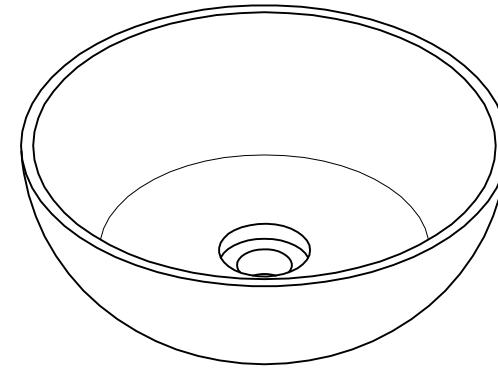
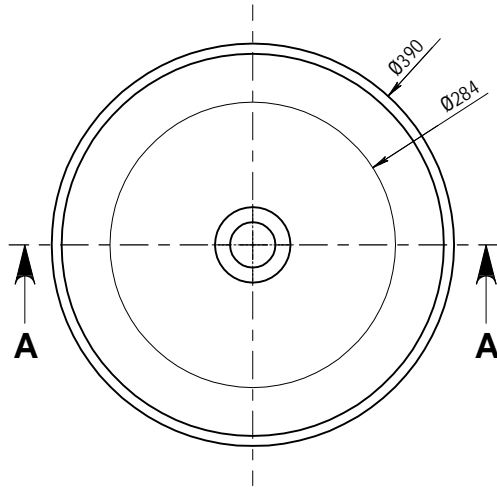
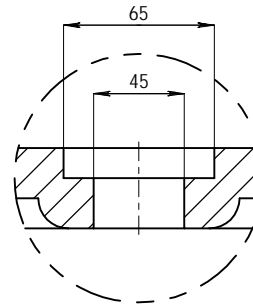


DRAFT COPY

DO NOT SCALE. IF IN DOUBT ASK!



SECTION A-A




**DETAIL D
SCALE 1:2**

COLOUR
QTY
APPROVED BY:
NAME & SIGNATURE
DATE APPROVED:

NOTES

1. ALL INTERNAL CORNERS TO BE R5 UNLESS OTHERWISE STATED.
2. BASINS IN AUSTRALIA COME WITH GLOSS FINISH ONLY ON SPECIAL ORDER - 8 WEEKS DELAY (SURCHARGE APPLIES). ALL BASINS DO NOT COME WITH A WASTE FITTING.

COPYRIGHT © APPLIES DUPPLICATION OF THIS DRAWING OR ANY SPECIFIC DESIGN FEATURES IS NOT PERMITTED WITHOUT WRITTEN AUTHORITY. "COMMERCIAL CONFIDENTIALITY" IS ASSUMED AND REQUIRED.

UNLESS OTHERWISE STATED ALL DIMENSIONS IN MILLIMETERS		MATERIAL: KASKADE STONE		DRAWING NUMBER Bowl-S1		SCALE 1:1	A4
DRAWING LEGEND		FINISH: REFER TO ORDER		Product Size 390X390X140		SHEET 1 OF 1	REV. 1
N.W. 8 kg		G.W. kg		Package size		 KASKADE STONE www.kaskadebaths.de	
LINEAR / ANGULAR TOLERANCES		DRAWN KASKADE		DATE 02/03/15			
No Decimal 1 Decimal 2 Decimals		CHK'D		DATE			

REV	DESCRIPTION	DWG	DATE	CHK'D	DATE
1	RELEASE DATE.	KASKADE	02/03/15		