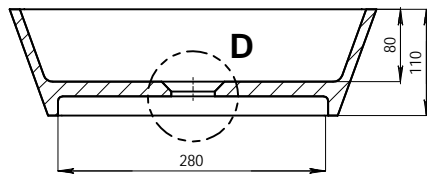
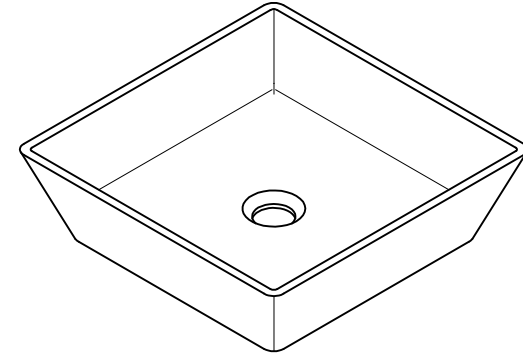
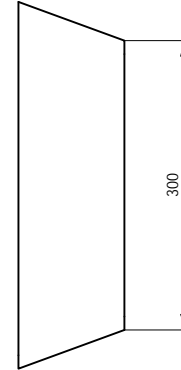
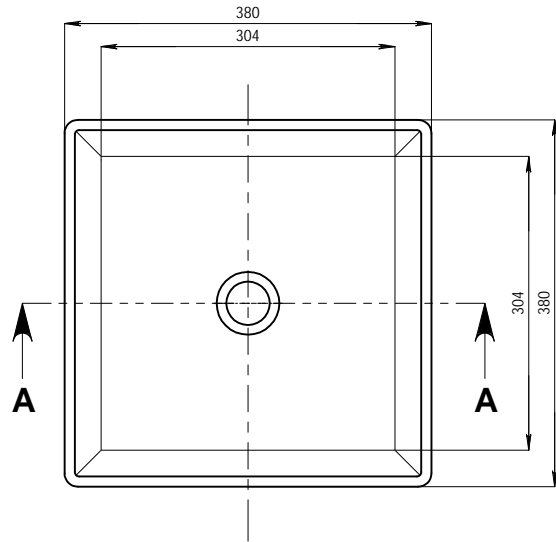
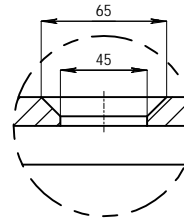


DRAFT COPY

DO NOT SCALE. IF IN DOUBT ASK!



SECTION A-A



DETAIL D  
SCALE 1:2

COLOUR
QTY
APPROVED BY:
NAME & SIGNATURE
DATE APPROVED:

- NOTES
1. ALL INTERNAL CORNERS TO BE R5 UNLESS OTHERWISE STATED.
  2. BASINS IN AUSTRALIA COME WITH GLOSS FINISH ONLY ON SPECIAL ORDER - 8 WEEKS DELAY (SURCHARGE APPLIES). ALL BASINS DO NOT COME WITH A WASTE FITTING.

COPYRIGHT © APPLIES DUPLICATION OF THIS DRAWING OR ANY SPECIFIC DESIGN FEATURES IS NOT PERMITTED WITHOUT WRITTEN AUTHORITY. "COMMERCIAL CONFIDENTIALITY" IS ASSUMED AND REQUIRED.

UNLESS OTHERWISE STATED ALL DIMENSIONS IN MILLIMETERS	MATERIAL:	KASKADE STONE		DRAWING NUMBER	
	FINISH:	REFER TO ORDER		Amica-RSA5	
DRAWING LEGEND	N.W	6.5 kg	Product Size	380X380X110	SCALE 1:1
	G.W	9 kg	Package size	420X420X200	A4
	LINEAR / ANGULAR TOLERANCES	DRAWN		KASKADE	DATE
	No Decimals	1 Decimal	2 Decimals	±3°	02/03/15
1	RELEASE DATE.	KASKADE	02/03/15	CHK'D	DATE
REV	DESCRIPTION	DWG	DATE	CHK'D	DATE

  
**KASKADE**  
 STONE  
[www.kaskadebaths.de](http://www.kaskadebaths.de)