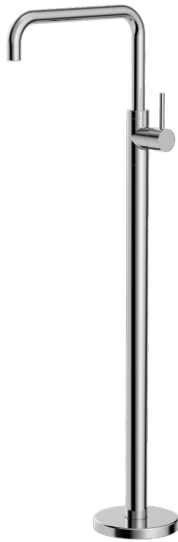



## Free Standing Bath Spout



### SPECIFICATION

|                    |                       |
|--------------------|-----------------------|
| WELS RATING        | N/A                   |
| WATERMARK LICENSE  | WM-060073             |
| TEMPERATURE RATING | MIN 1°C-MAX 75°C      |
| PRESSURE RATING    | MIN 150KPa-MAX 500KPa |

### FINISH

|   |                             |   |                               |
|---|-----------------------------|---|-------------------------------|
|    | CHROME<br>NR221903bCH       |    | MATTE BLACK<br>NR210903bMB    |
|  | GUN METAL<br>NR221903bGM    |  | BRUSHED NICKEL<br>NR221903bBN |
|  | BRUSHED GOLD<br>NR221903bBG |  | BRUSHED BRONZE<br>NR221903bBZ |
|  | MATTE WHITE<br>NR221903bMW  |   |                               |

### MAINTENANCE AND CARE

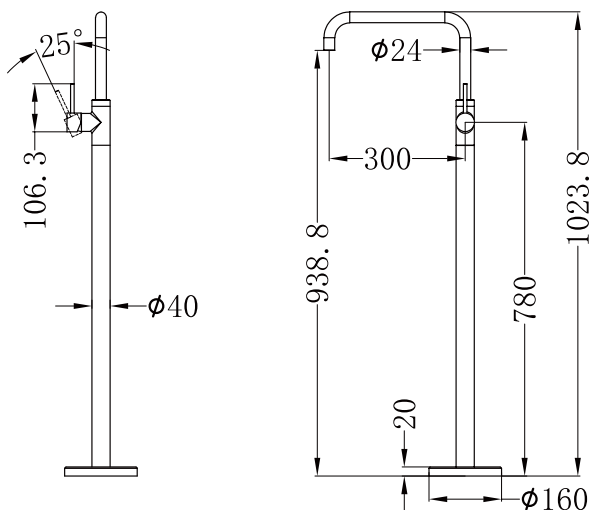
All surfaces should be cleaned with mild liquid detergent or soap and water.

Do not use cream cleaners or citrus based cleaning products, as they are abrasive.

Use of unsuitable cleaning agents may damage the surface. Any damage caused in this way will not be covered by warranty.

### PACKING INCLUDES

- 1x mixer tap
- 1x extension tube
- 1x floor cover plate
- 2x water pipes
- 1x mixer box
- 1x gloves
- 4x dynabolt
- 1x instruction
- 1x allen key pack
- 1x leveling plate
- 1x gradiometer
- 1x testing plugs



Dimensions are nominal measurements only.



## Installation Instruction

Please inspection all spare parts list when you open box,if any problem,please contract with seller. Spare parts list as follow.

| Item | Parts Name        | QTY |
|------|-------------------|-----|
| 1    | Mixer Tap         | 1   |
| 2    | Extension Tube    | 1   |
| 3    | Floor Cover Plate | 1   |
| 4    | Water Pipes       | 2   |
| 5    | Mixer Box         | 1   |
| 6    | Dynabolt          | 4   |
| 7    | Gloves            | 1   |
| 8    | Instruction       | 1   |
| 9    | Allen Key Pack    | 1   |
| 10   | Leveling Plate    | 1   |
| 11   | Gradiometer       | 1   |
| 12   | Testing Plugs     | 1   |

