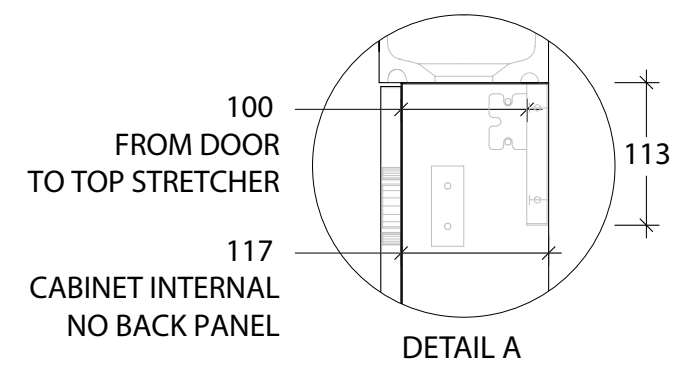
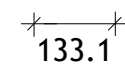
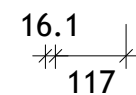
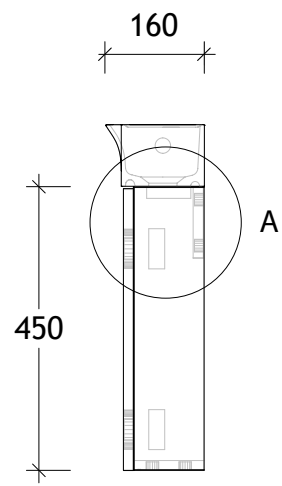
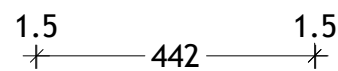
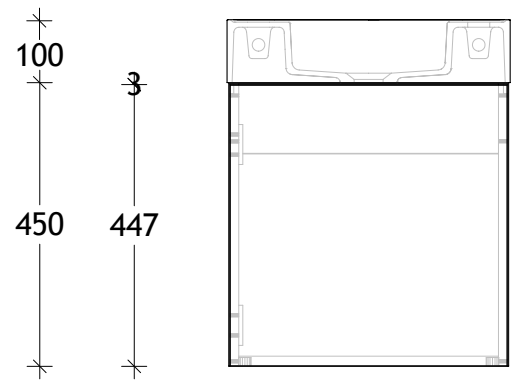
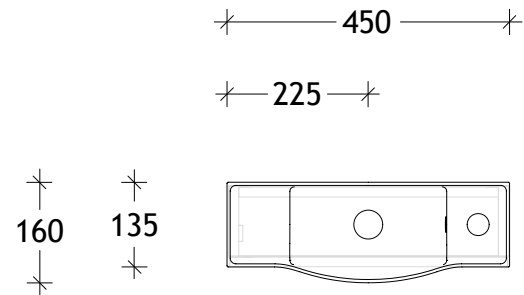


NAME:	CHARM0450WH
SIZE:	450
WK/WH:	WALL HUNG
CONFIGURATION:	1 DOOR



PLEASE NOTE: Do not perform any plumbing rough in prior to taking delivery of your vanity, as all measurements are nominal and are subject to change. Measure exact locations from your vanity once it is on site.